

Sergio Escada

Tel.: +55 21 2518-2555

Cel.: +55 21 99972-3948

sergio.escada@palmtecnologia.com.br

www.palmtecnologia.com.br



Manual Stab Plates for Work Over and Intervention Systems



Swing bolt lock

E.g. WALTHER type 91553

This type can be populated with up to:

- 9 Self sealing coupling elements, Type HP-006, 3/8" size, 69 Mpa (10,000 psi) working pressure
- 6 Self sealing coupling elements, Type HP-006, 3/8" size, 34,5 Mpa (5,000 psi) working pressure
- 1 Self sealing coupling elements, Type HP-010, 1/2" size, 34,5 Mpa (5,000 psi) working pressure

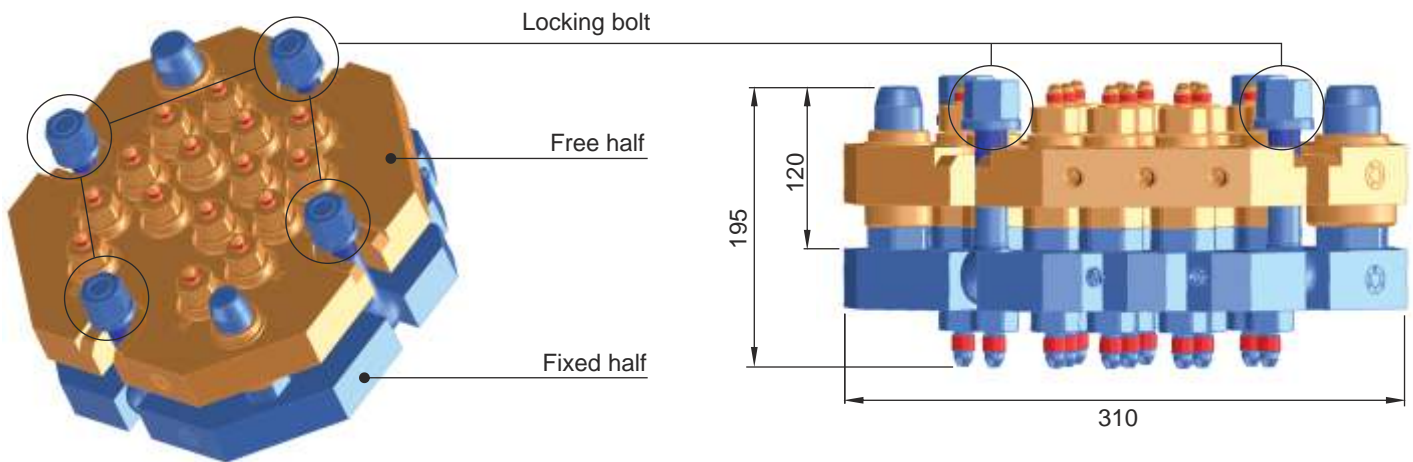
Advantages:

- Simple design with few components
- Low cost option
- Locking bolts outside of hose bundle = easily accessible

Materials: SS 1.4404 (AISI 316L), 1.4301 (AISI 304)

Seals: FPM, or FFKM if required

*Other populations, elements and materials and related information on request.



Central screw lock

E.g. WALTHER type 91579

This type can be populated with up to:

- 3 Self sealing coupling elements, Type HP-006, 3/8" size, 69 Mpa (10,000 psi) working pressure
- 5 Self sealing coupling elements, Type HP-006, 3/8" size, 21 Mpa (3,000 psi) working pressure
- 2 Self sealing coupling elements, Type HP-010, 1/2" size, 21 Mpa (3,000 psi) working pressure
- 1 Self sealing coupling elements, Type HP-010, 1/2" size, 69 Mpa (10,000 psi) working pressure

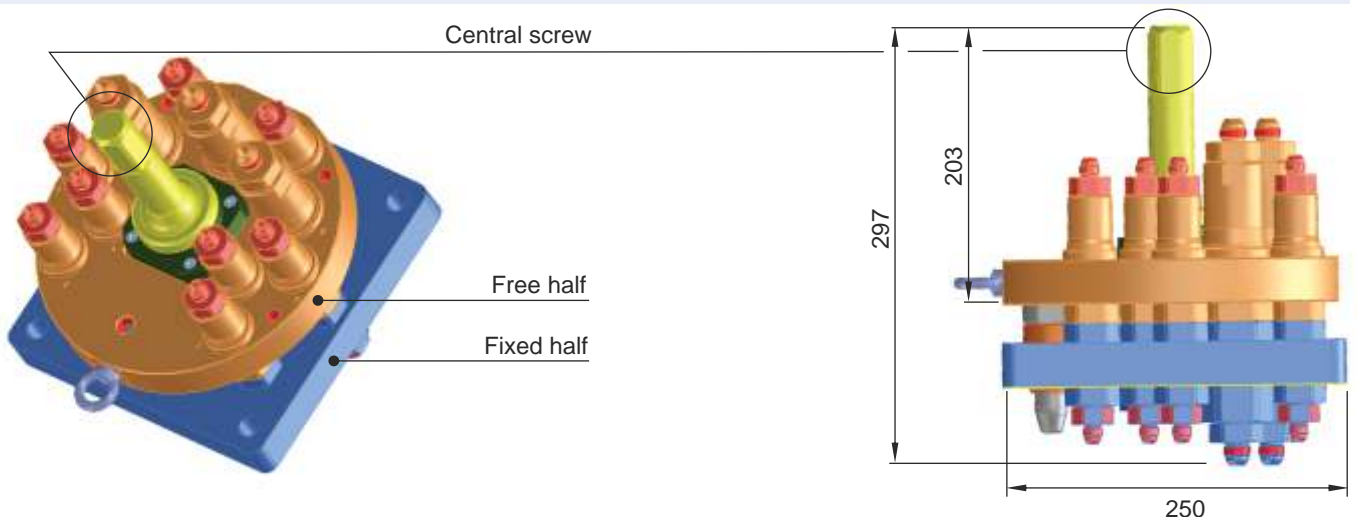
Advantages:

- Lowest price option
- Simple design with fewest components
- Compact size

Materials: SS 1.4404 (AISI 316L), 1.4301 (AISI 304), locking nut bronze

Seals: FPM, or FFKM if required

*Other populations, elements and materials and related information on request.



Cam action with individual coupler locking for top side mounting

E.g. WALTHER type 90715

This type can be populated with up to:

34 self sealing coupling units type HP-006, 3/8" size, 69 Mpa (10,000psi) working pressure each

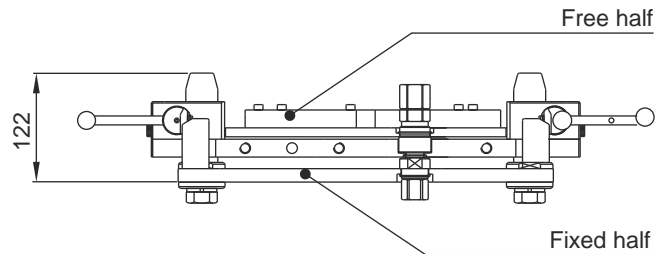
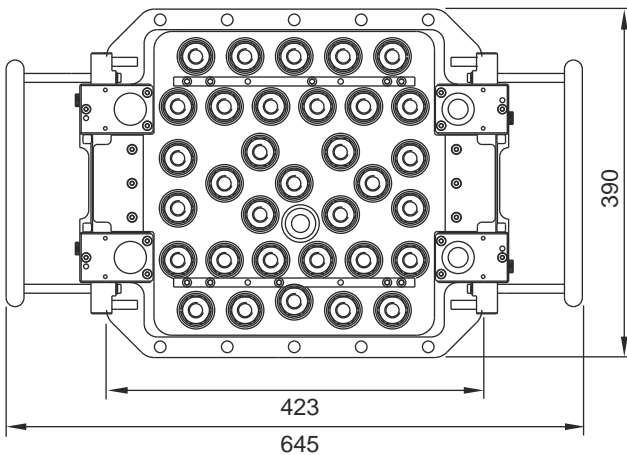
Advantages:

- Fast operation and time saving when hooking up work over reels or other systems
- Highest population possibility with no increase in plate thickness and weight (handling!)
- Line pressure and pressure combinations do not influence performance and integrity of stab plate system
- Safe connection of lines - wrong combinations are mechanically excluded
- Connectable with residual pressures

Materials: SS 1.4404 (AISI 316L) or Nitronic 50, bearings bronze

Seals: FPM, or FFKM if required

*Other populations, elements and materials and related information on request.



Cam action with toggle mechanism

E.g. WALTHER type 90735

This type can be populated with up to:

7 Self sealing coupling elements, type OM-006*, 3/8" size, 69 Mpa (10,000 psi) working pressure each

1 Self sealing coupling element, OM-010*, 1/2" size, 69 Mpa (10,000 psi) working pressure each

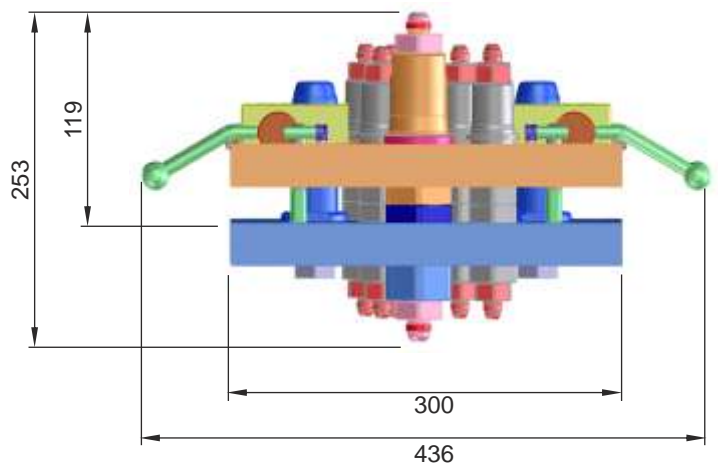
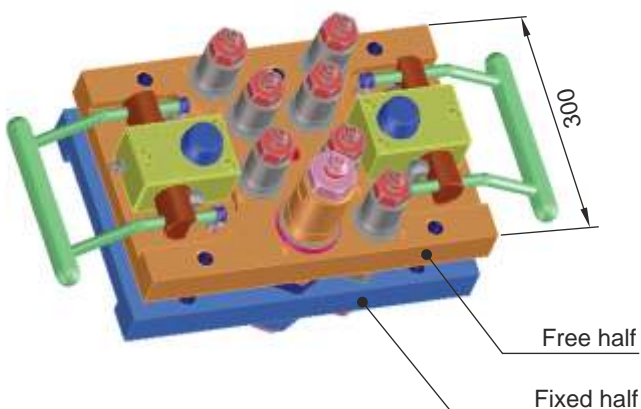
Advantages:

- Fastest operation and time saving when hooking up work over reels or other systems
- Simplified design with fewer components
- Very cost efficient
- Safe connection of lines - wrong combinations are mechanically excluded
- Connectable with residual pressures

Materials: SS 1.4404 (AISI 316L), 1.4301 (AISI 304), bearings bronze

Seals: FPM, or FFKM if required

*Other populations, elements and materials and related information on request.



Special Designs for Offshore Couplings



Elements for
plate mounting
Series OM



Elements for
cavity mounting
Type 84-006



ROV coupling for gas lift
Type 87-050



Workover Stabplates
Type 91553



Emergency Disconnect Unit
Type 91559



ROV stab plates
Type 91561
also available with HFL, fully assembled

WALTHER-PRÄZISION Carl Kurt Walther GmbH & Co. KG

Hausadresse / Head office:

Westfalenstrasse 2
42781 Haan, Germany

T +49 (0) 21 29 567-0
F +49 (0) 21 29 567-450

Postadresse / Postal address:

PF / P.O. Box 420444
42404 Haan, Germany

E info@walther-praezision.de
W www.walther-praezision.de



Choose the Original
Choose Success!



WalCoDo®
WALTHER CONNECTING & DOCKING