

**TYPE
87-006**



Sergio Escada

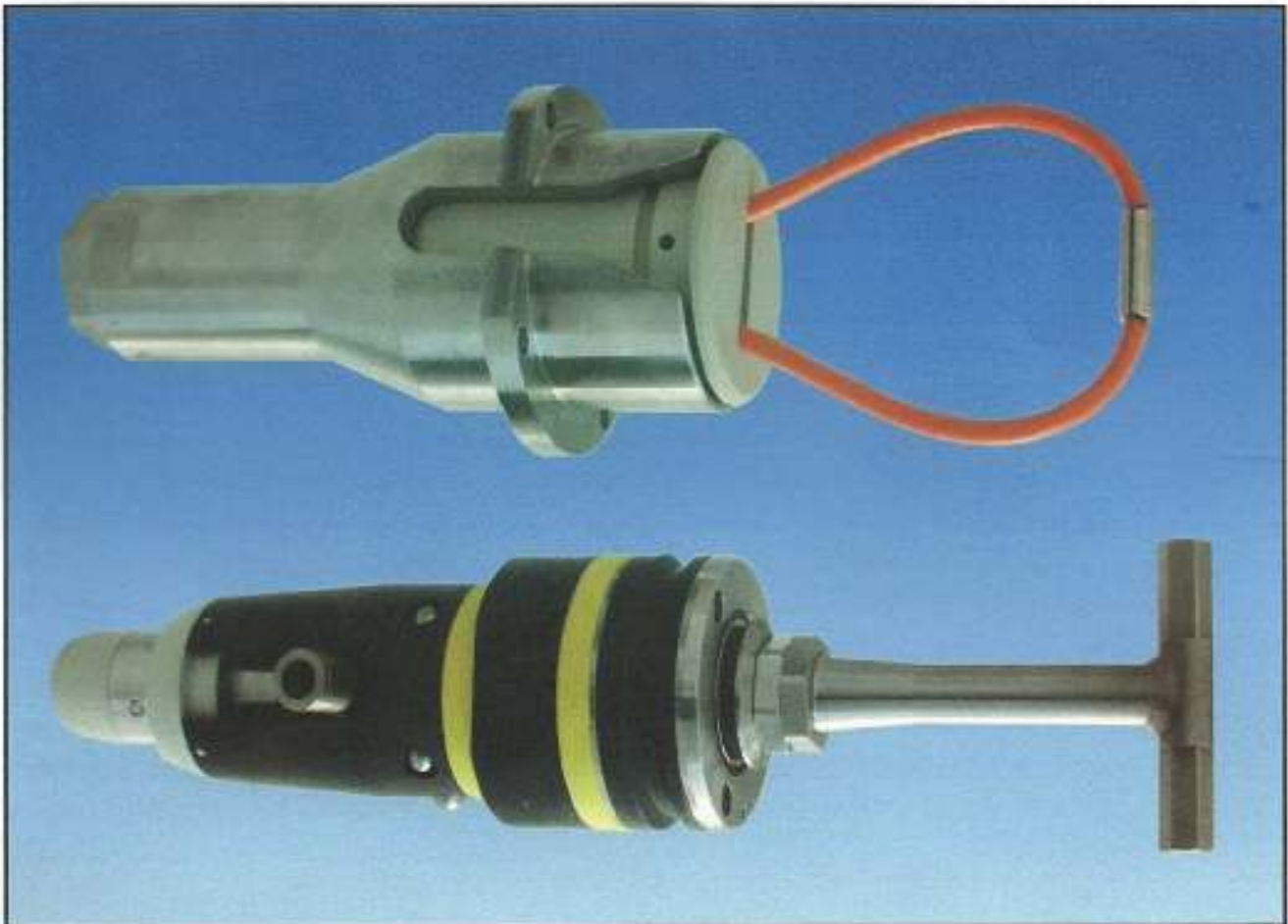
Tel.: + 55 21 2518-2555

Cel.: + 55 21 9972-3948

sergio.escada@palmtecnologia.com.br

www.palmtecnologia.com.br

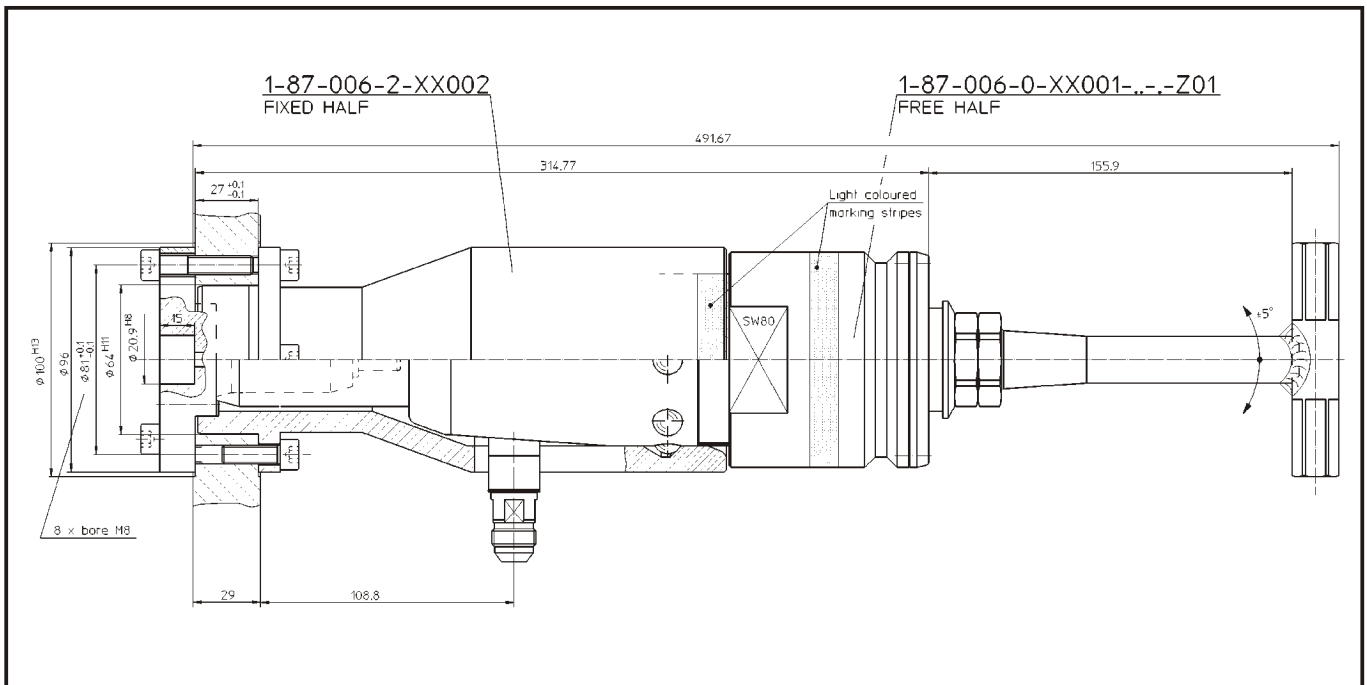
**ROV operated high
pressure coupling**



ROV operated high pressure coupling

Description:

- Simple ROV operation by insertion into funnel and turning of T-bar to API class 2
- Subsea half made of few single components
- All primary seals on retrievable half
- Inconel main housing seal
- Generous guiding funnel for easy connection under bad visibility
- mateable at full working pressure
- Low connection torque at 10000 psi required 35 Nm
- Constant flow condition due to mechanically fixed valve position
- Heavy duty ring valves
- No squirting during connection / disconnection
- further sizes available



WALTHER-PRÄZISION • Wika rev. 05/2004 - subject to alterations

Technical data:

Working pressure:	10000 psi
Test pressure:	15000 psi
Size:	3/8 "
Materials:	AISI 316I (1.4404) and F6 Nm (1.4418) retrievable half, duplex stainless steels subsea half funnel F6 Nm (1.4418)

Carl Kurt Walther GmbH & Co. KG

Westfalenstr. 2
PO box 420444
Tel. +49(0) 21 29 / 5 67-0
Fax +49(0) 21 29 / 5 67-450

D-42781 Haan
D-42404 Haan
E-Mail: info@walther-praezision.de
Internet: www.walther-praezision.de

